

Cessna Carburetor Heat Air Box Assembly

New!

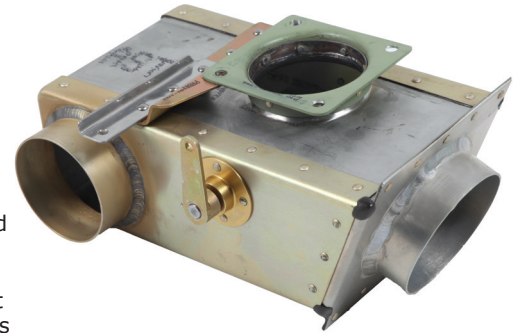
Get rid of that tired, old air box!! Install NEW, not rebuilt!

Finally a cost effective, improved air/heat system!

- New with improved components
- Direct replacement of original assembly
- Quality built with McFarlane bearing housings
- Transport Canada Part Design Approval-ships with Transport Canada Form One

Stop wasting time and money cobbling together that old air-box. Newly constructed air boxes reduce maintenance headaches, increase efficiency of the induction system and include vibration absorbing parts. Eliminate cracks, unsightly repairs and carburetor heat application. Effective control and application of carburetor heat is a must. Damaged components, mis-repair and inferior seals can cause dangerous conditions and the inability to clear away ice. Improved components extend the service life of all components through the use of McFarlane vibration absorbing bearings, no more needle bearing failures!

Replacement components including flange and flappers are available separately.

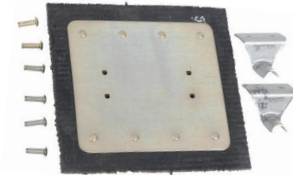
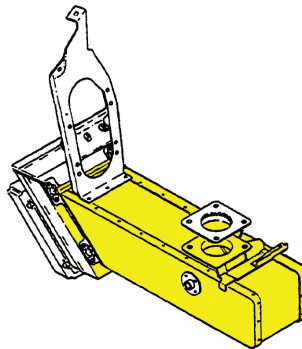


P/N 0552164-4AWL

Save\$\$



P/N 0552113-11AWL



P/N 0552169-6AWL

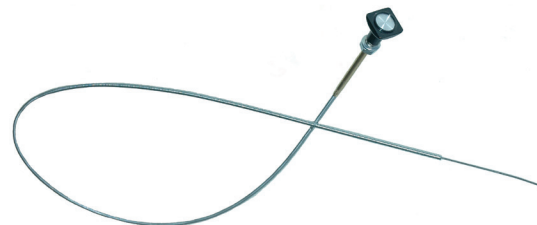
Aircraft Model	Part Number	Description
152, A152, F152, FA152	0550180-13AWL	Carb Attach Flange
172B,C,D,E,F,G,H	0750133-9AWL	Flapper Standoff
	0550180-10AWL	Flapper Assembly
	0550180-13AWL	Carb Attach Flange
172I,K	0550180-10AWL	Flapper Assembly
	0550180-13AWL	Carb Attach Flange
	0552113-11AWL	Carb Air Box
172L,M	0750133-9AWL	Flapper Standoff
	0550180-10AWL	Flapper Assembly
	0550180-13AWL	Carb Attach Flange
	0552113-13AWL	Carb Air Box
	0750133-9AWL	Flapper Standoff
172N,P	0552164-4AWL	Carb Air Box
	0552169-6AWL	Flapper Assembly
	0550180-13AWL	Carb Attach Flange
172RG	0550180-13AWL	Carb Attach Flange
	0550180-10AWL	Flapper Assembly
F172D,E,F,G,H,K	0550180-13AWL	Carb Attach Flange
	0750133-9AWL	Flapper Standoff
F172L,M	0550180-10AWL	Flapper Assembly
	0550180-13AWL	Carb Attach Flange
	0552113-13AWL	Carb Air Box
F172N,P	0750133-9AWL	Flapper Standoff
	0550180-13AWL	Carb Attach Flange
	0552164-4AWL	Carb Air Box
	0552169-6AWL	Flapper Assembly
P172D, 175, 175A,B,C, 177A,B	0750288-1AWL	Carb Attach Flange
180A,B		
180C,D,E,F,G,H,J,K	0750133-9AWL	Flapper Standoff
182,182A,B,C,D,E,F,G,H,J,K,L,M,N,P,Q,R		
F182Q		
188, 188A,B, A188, A188A		
■ P/N 0552113-11AWL and 0552113-13AWL is offered with Dynamic Propeller STC/PMA seal P/N DP0552130-11 as a special order item.		

Maintenance Tip:

When there is excessive "slack" or lack of "sufficient friction" on the carb heat control cable the flapper will vibrate back and forth wearing the airbox, the carb heat cable and create unneeded vibration.

McFarlane's carb heat cables have a friction/tension system built in for reduced vibration wear, longer life and smooth, consistent control and a special heavier wire for more fatigue strength and reliability!

Replace your old, worn, carb heat cable with a new McFarlane FAA-PMA approved cable (see pages 10-13).



McFarlane FAA-PMA Carb Heat Control Cable